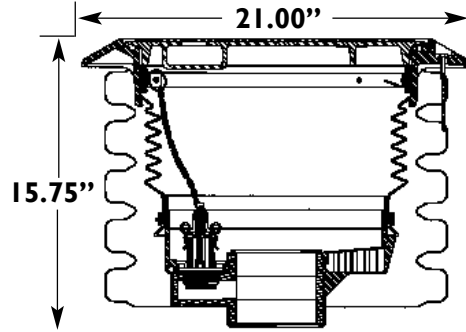


Containment Manholes

A1004 Fatboy

■ CARB Approval 92-10
ULC Listed MH21149



Model No.	Description	Rim Dia.	Lid Dia.	Lid Weight	Total Weight	Drain Type
A1004-003	Fatboy, 4", 5 gallons	21.0"	16.33"	22 lbs.	82 lbs.	Pull/Push
A1004-004	Fatboy, 4", 5 gallons	21.0"	16.33"	22 lbs.	82 lbs.	None
A1004-005	Fatboy, 4" BSPT, 5 gallons	21.0"	16.33"	22 lbs.	82 lbs.	Pull/Push

See page 31 for replacement parts

Optional Items:

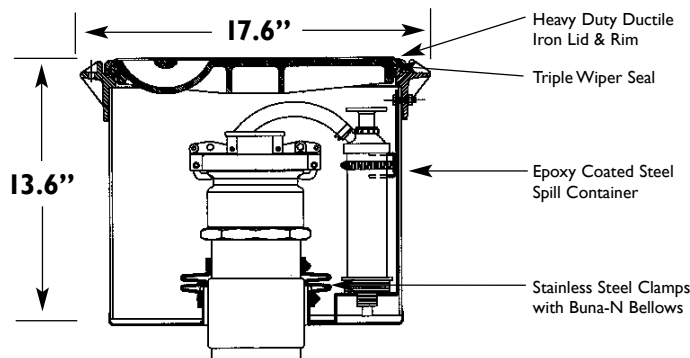
Adapter: A0030, A0076 (See pages 53,55)

Cap: A0097, A0099 (See pages 52,54)

OVERFILL PREVENTION
SPILL CONTAINMENT

A1005 Slip-On

The Emco Wheaton A1005 Slip-on Style Containment Manhole features an epoxy coated steel containment body. The ductile iron lid and rim incorporate the exclusive triple wiper seal and are capable of supporting AASHTO H20 wheel loading. The A1005 lid features a built-in side handle which allows for easy, one-hand opening. The Buna-N attachment bellows is UL-157 approved.



■ ULC Listed MH21149

Model No.	Description	Lid Weight	Lid Dia.	Drain Type	Total Weight
A1005-001	4", 5 gallons	20 lbs.	15.375"	None	60 lbs.
A1005-002	3", 5 gallons	20 lbs.	15.375"	None	60 lbs.

See page 31 for replacement parts

Optional Items:

Adapter: A0030, A0076 (See pages 53,55)

Cap: A0097, A0099 (See pages 52,54)

Hand Pump: A0333-003 (See page 30)